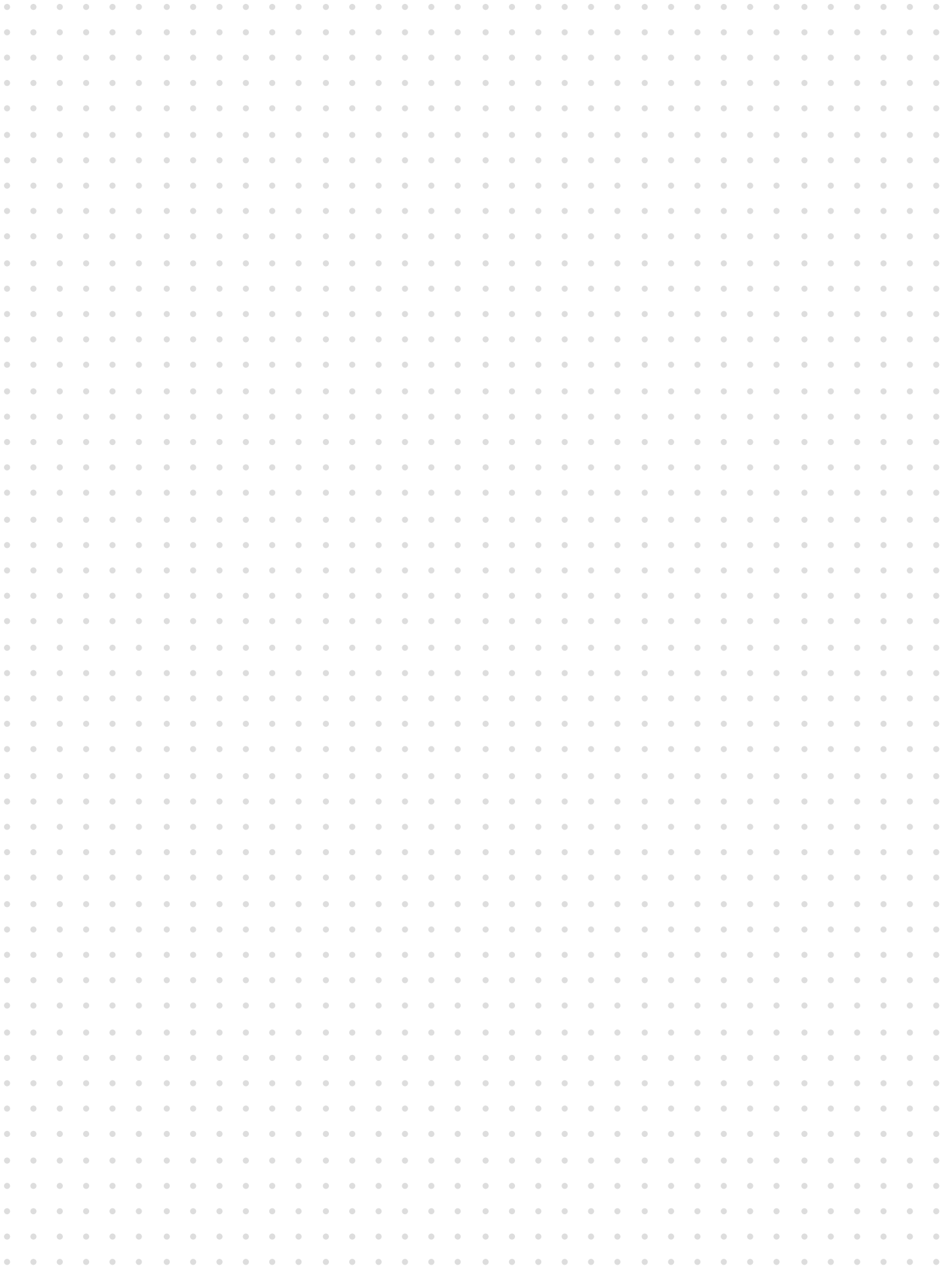


**Nomadic**  **Display**®



**SET-UP INSTRUCTIONS**  
**PRODUCT CATALOGUE**

# NOTES





## WHY CHOOSE **NOMADIC DISPLAY** AS YOUR EXHIBITION PARTNER ?

With a rich history and unmatched expertise, Nomadic Display remains the go-to choice for businesses worldwide.



### **PIONEERING LEGACY**

Nomadic Display pioneered the exhibition industry over 40 years ago with Ted Zeigler's invention of the "Pop Up Stand." When you partner with us, you're tapping into decades of groundbreaking design and unparalleled expertise.



### **UNMATCHED PRODUCT DIVERSITY**

From Modular Stands to LED Backlit Displays, we offer a diverse range of products tailored to every need. Our dedication to innovation ensures that we consistently go beyond client expectations.



### **COMMITMENT TO CLIENT SUCCESS**

At Nomadic Display, we don't just focus on transactions; we emphasize building genuine partnerships with our clients. By ensuring mutual success, we take pride in our dedicated team that offers exceptional post-purchase support to every customer.





**40+**

Years of Experience in the Exhibition Industry



**100+**

Award Winning Projects



**20,000+**

Satisfied Clients

## OUR CORE VALUES



Partnerships



Sustainability



Quality



Professionalism




Innovation



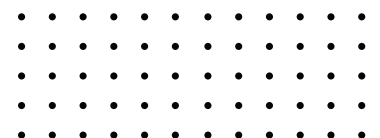
Integrity

At the core of everything we do lies professionalism, integrity, innovation, and sustainability. Our mission is to forge lasting strategic partnerships with our customers. We are committed to setting the benchmark in the exhibition and display industries, delivering high-quality products with a guarantee of 100% satisfaction.

## ABOUT US

 Made in Europe

Our team at Nomadic Display has been working for over 40 years to help you get the most out of your time spent at trade shows, exhibitions, and other sales events. The exhibition stands we create are some of the most innovative and economical in the industry, and they provide real returns for our clients, both now and in the future.



# GREEN COMMITMENT

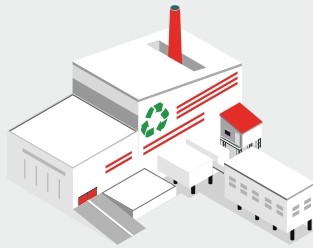
## A DEVOTION TO ENVIRONMENTAL LEADERSHIP IN THE EXHIBITION INDUSTRY

Since our inception, Nomadic Display has championed sustainability. We're an eco-conscious company, always innovating to optimize our energy and resource use. Our commitment runs deep, evidenced by our efforts to curtail our carbon footprint, reduce waste, and conserve water.



### SEAMLESS ADAPTABILITY

Our products are masterfully designed to cater to multiple events, not only minimizing waste but also maximizing your investment. Each product's versatility ensures adaptability across your exhibition calendar.



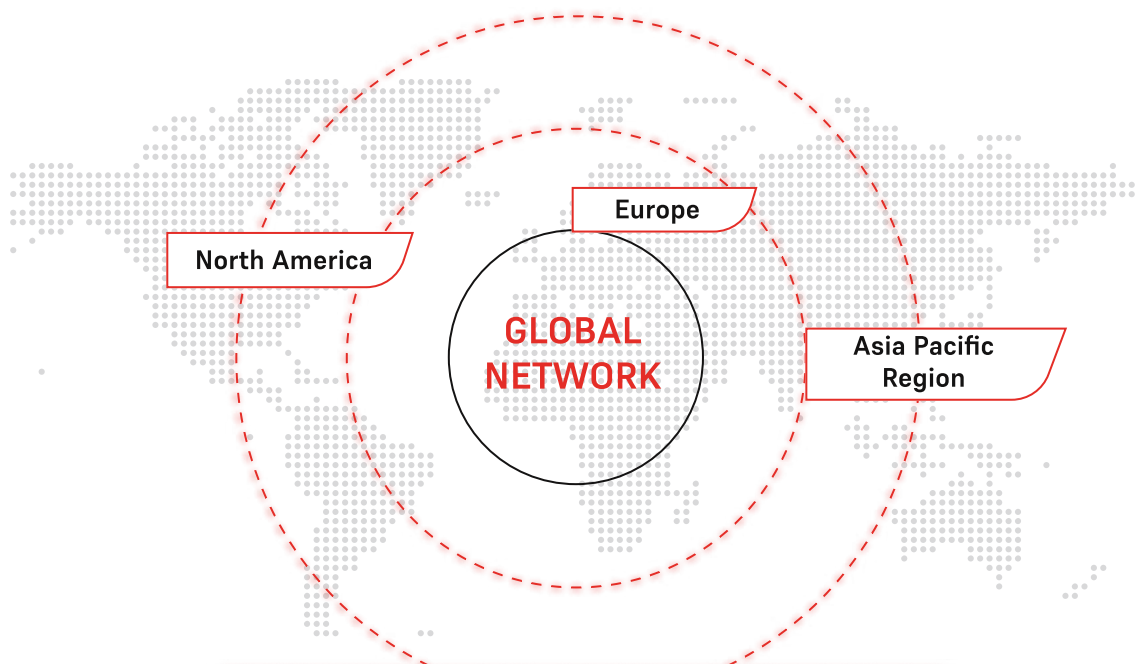
### EARTH-CONSCIOUS CRAFTING

At the foundation of our production is high-quality, recycled materials. Our eco-friendly manufacturing goes beyond mere processes; it's our commitment to the planet. Even in the rare instances of wastage, we prioritize recycling and repurposing.



### TIMELESS DURABILITY

We don't just create products; we build legacies. Our items are designed for longevity and to withstand repeated use. Every piece we create is backed by our unwavering warranties, a testament to our faith in their durability.

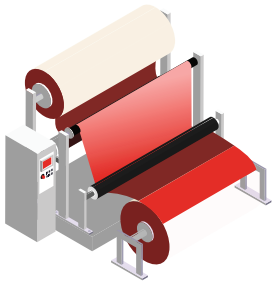


We are available all around the world through our extensive distribution network

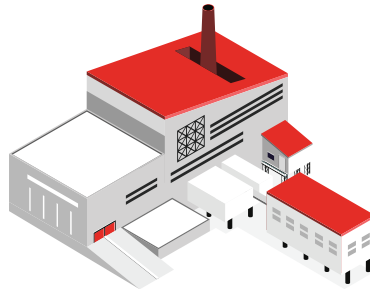
# EXHIBITION SERVICES

## YOUR ONE-STOP SOLUTION FOR SEAMLESS EXHIBITIONS

At Nomadic Display, we understand the intricacies of the exhibition world. That's why we offer a comprehensive range of services designed to make your exhibition journey smooth and hassle-free.



**IN-HOUSE PRINTING**



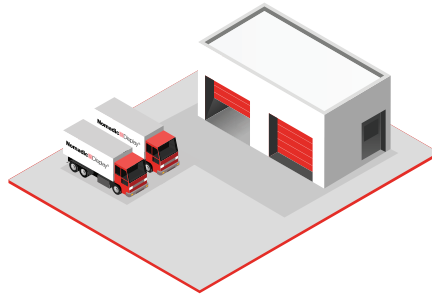
**EXHIBITION STAND MANUFACTURING**



**GLOBAL EXHIBITION STAND INSTALLATION**



**EXHIBITION STAND RENTAL**



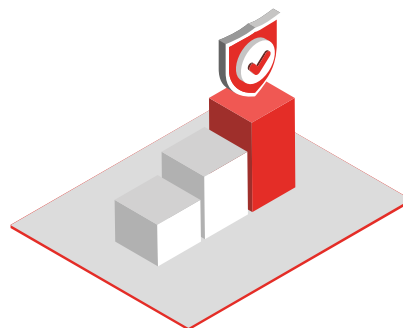
**EXHIBITION STORAGE**



**24/7 SUPPORT**



**EXHIBITION STAND DESIGN**



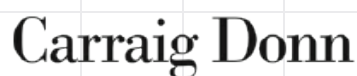
**INDUSTRY LEADING WARRANTIES**



## OUR CLIENTELE

Over the years, we have established ourselves as a trusted name in the exhibition industry. Our journey began with a simple vision: to provide unparalleled products and services that would help businesses showcase their brands in the best light possible. Today, we are proud to say that we have turned that vision into a reality.

JOIN **20,000+** SATISFIED CLIENTS  
GLOBALLY IN TRUSTING **NOMADIC  
DISPLAY**



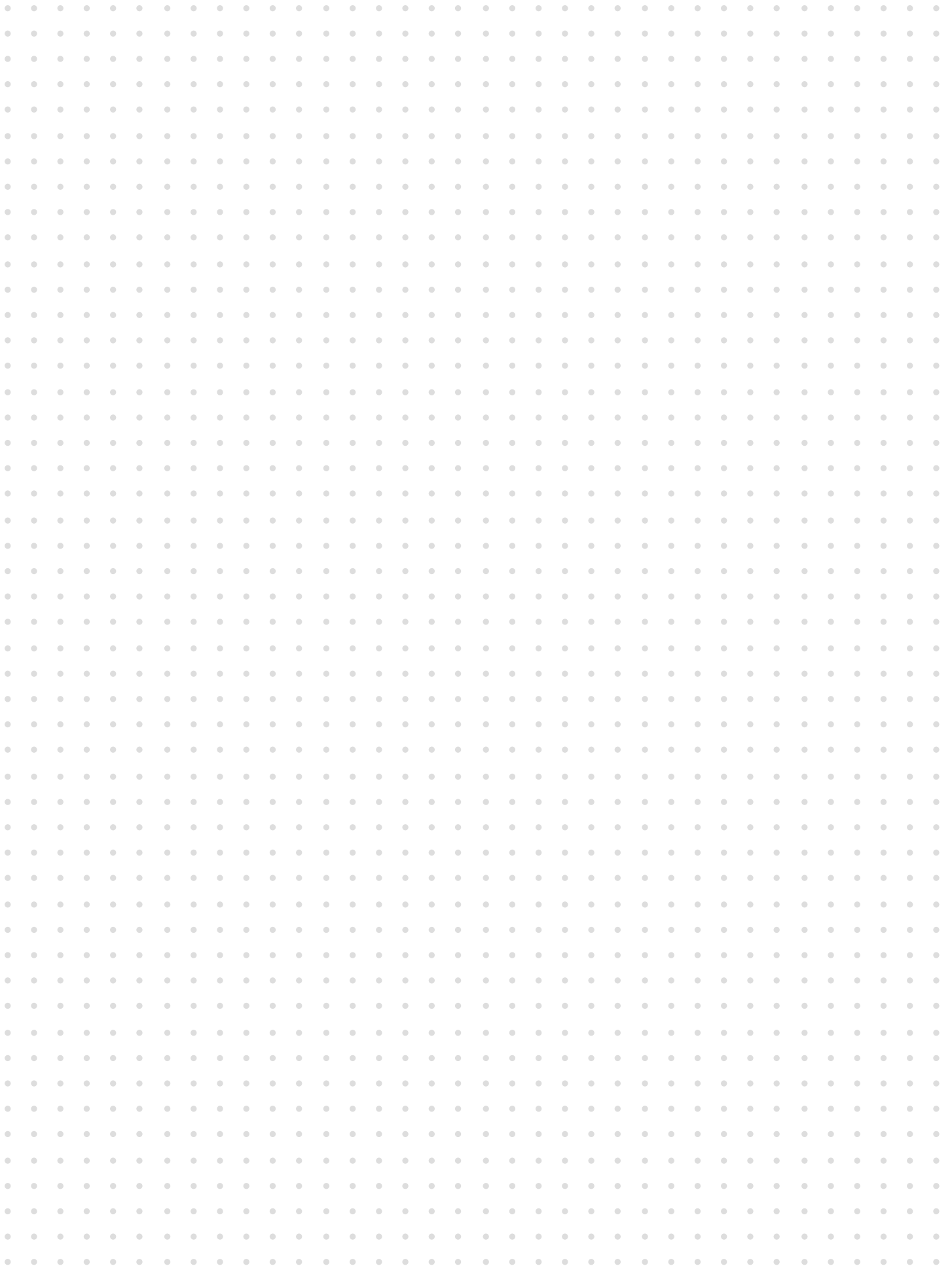


## OUR EXHIBITION SOLUTIONS ARE CERTIFIED FOR EXCELLENCE

At Nomadic Display, our exhibition solutions are certified under three categories, upholding industry standards for quality, safety, and performance. Rest assured, our products are crafted to provide you with the best possible display experience.



# NOTES

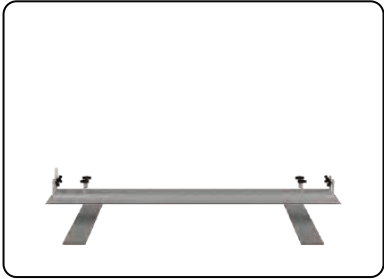


**Nomadic**  **Display**<sup>®</sup>  
CREATIVE EXHIBITION SOLUTIONS

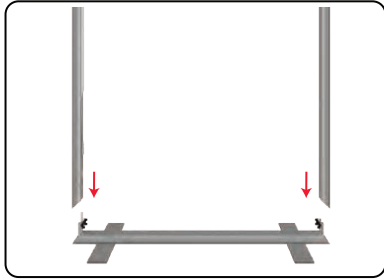


**BRIGHTWALL 130**

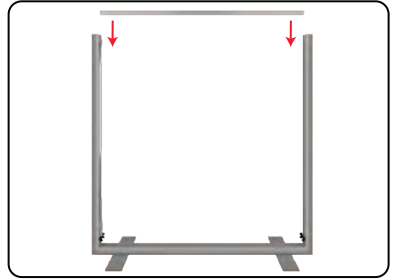
# SETTING UP YOUR DISPLAY



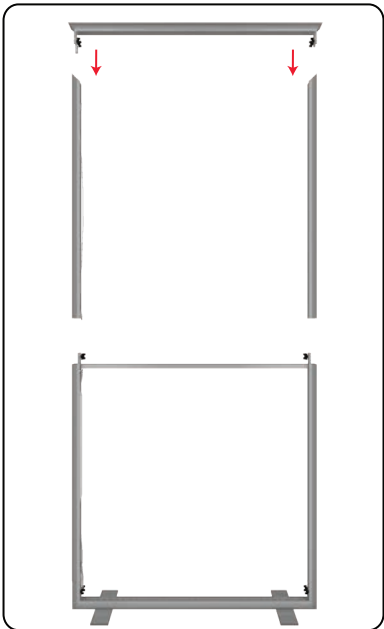
Step 1



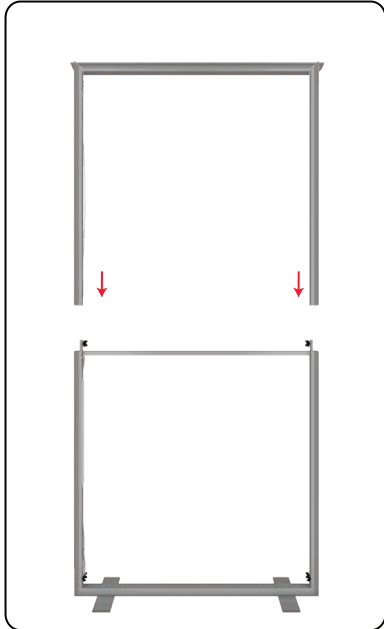
Step 2



Step 3



Step 4



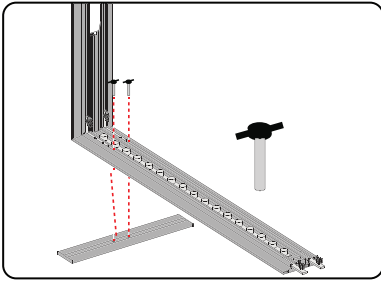
Step 5



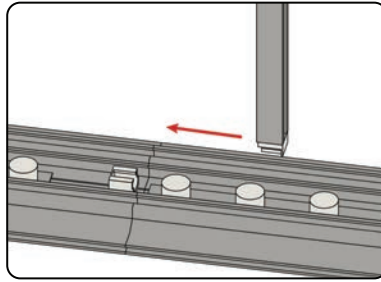
Step 6



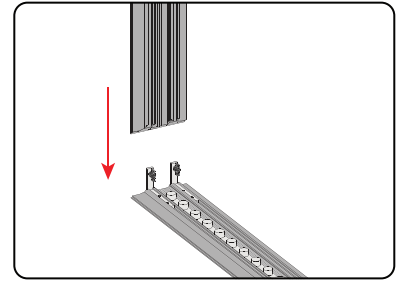
## DETAILED SETUP INSTRUCTIONS



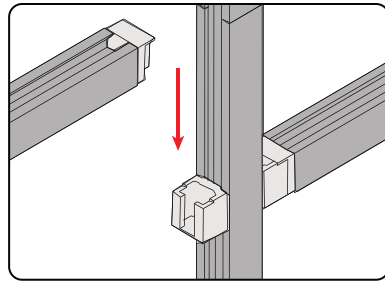
**1** Connect the base plates the Brightwall frame using the M8 thumbscrews provided as shown above.



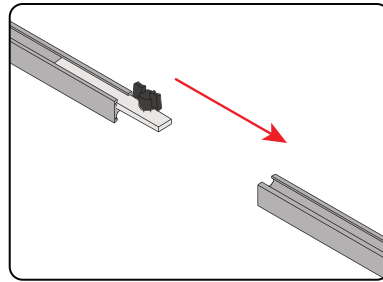
**2** Secure the internal vertical extrusion by sliding the base into the plastic holders located along the bottom extrusions as shown.



**3** Join horizontal and vertical extrusions by sliding onto the pre-installed sliders located on the horizontal and vertical extrusions and tightening the thumbscrews.



**4** Join the internal horizontal extrusions to the vertical extrusions of the frame by sliding onto the plastic ends as shown.

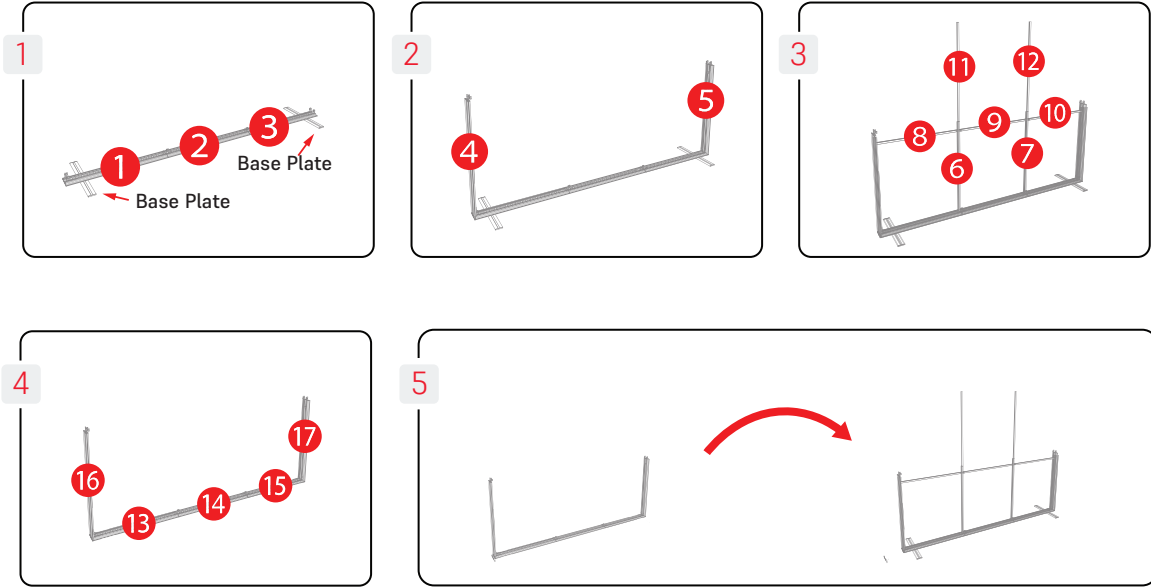


**5** Join the internal vertical extrusion together by sliding onto the pre-installed sliders and tightening the thumbscrews.

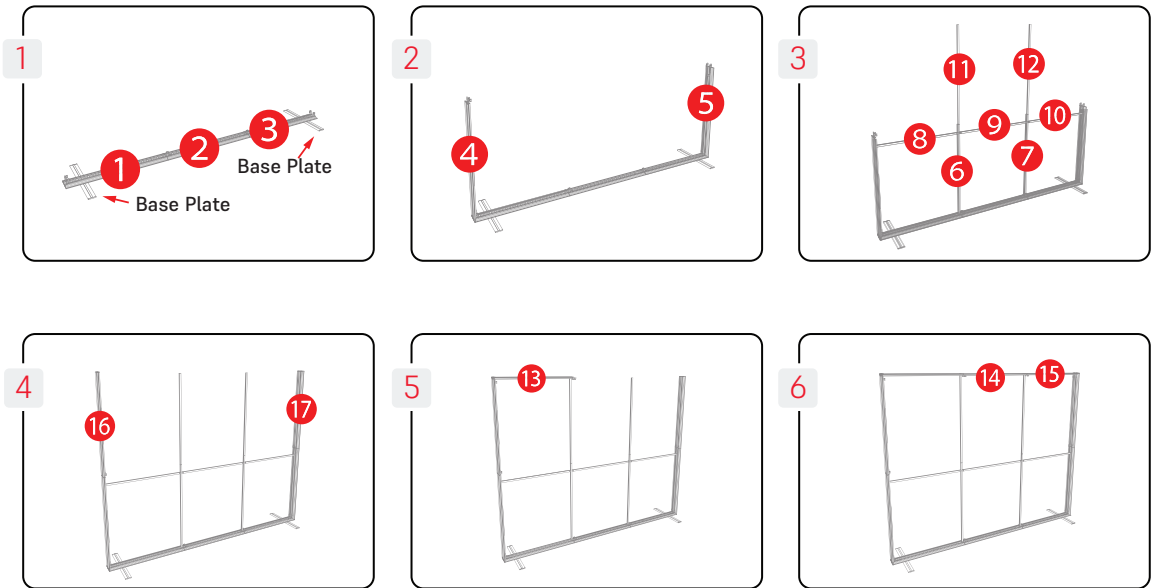
# DETAILED SETUP INSTRUCTIONS



## RECOMENDED METHOD

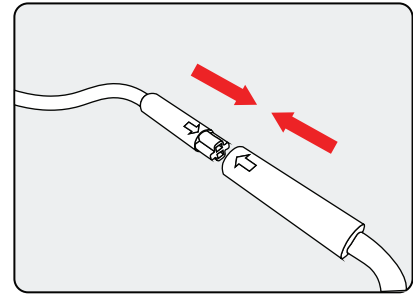
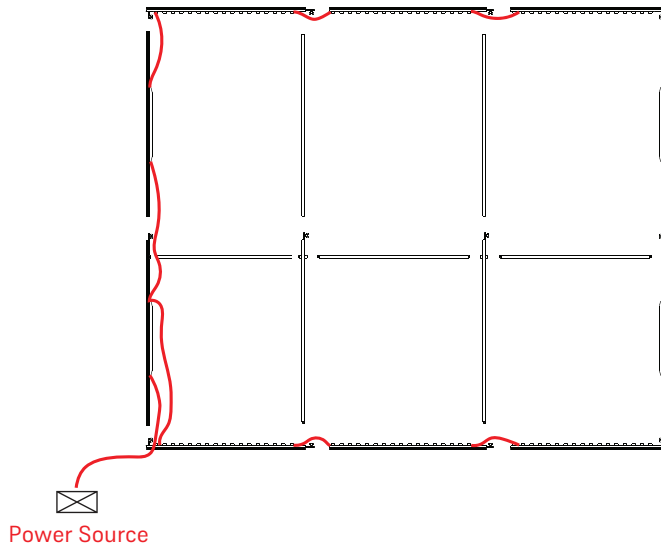


## ALTERNATIVE METHOD



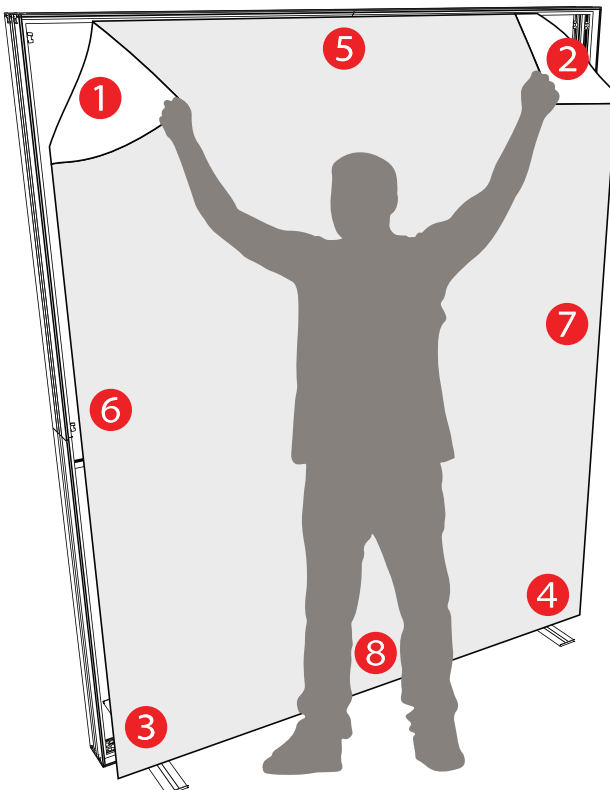
## DETAILED SETUP INSTRUCTIONS

CONNECT THE WIRING BEFORE INSTALLING FABRIC PANEL!



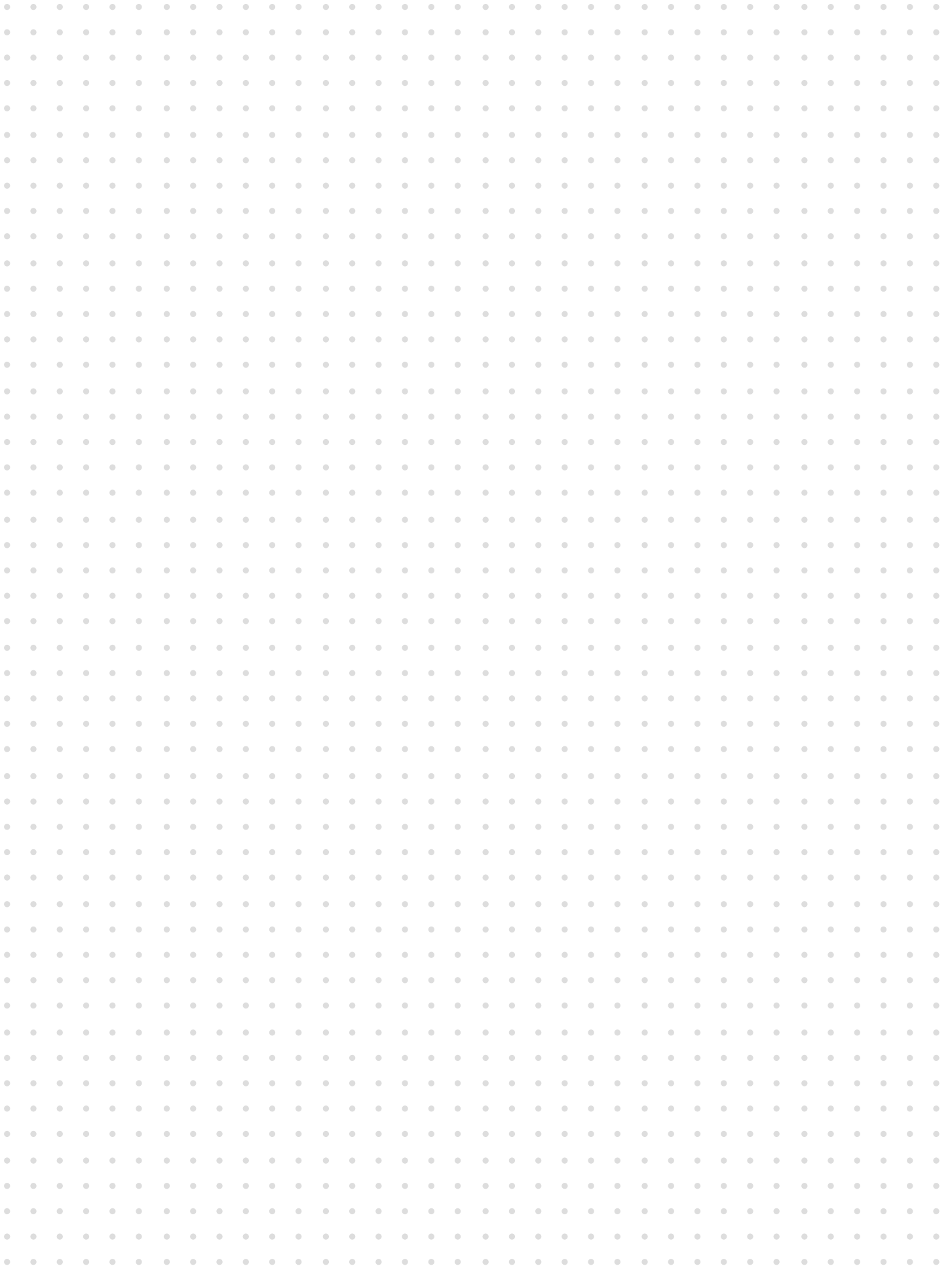
connect plugs in the direction of the arrows

## INSTALLING THE FABRIC PANEL



To place each Fabric Panel in position follow the numbering sequence above, gently pushing Silicon Bead on Fabric into the metal track, until the fabric is tight. Use gloves provided

# NOTES

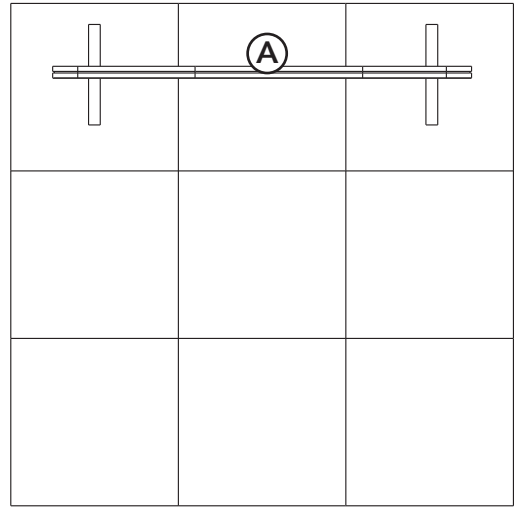
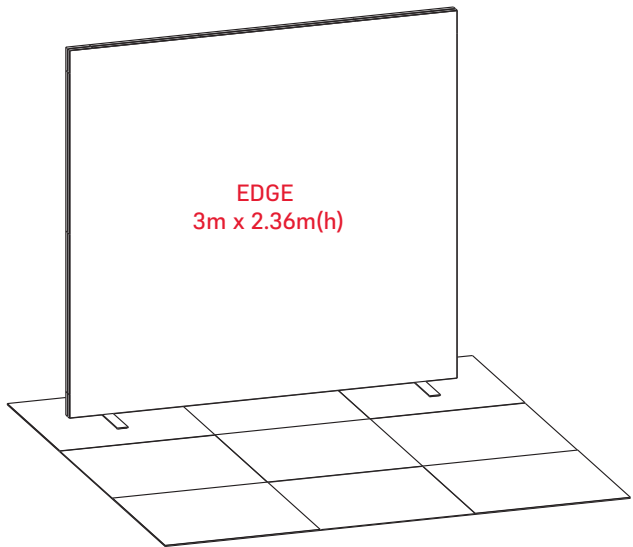






**EDGE**

# DETAILED SETUP INSTRUCTIONS

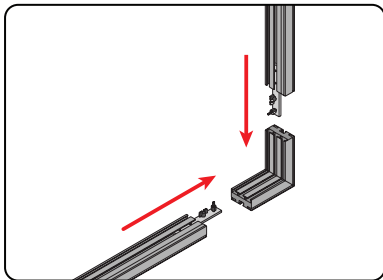


**1** Locate the walls in each case, beginning with Wall A to begin assembly.

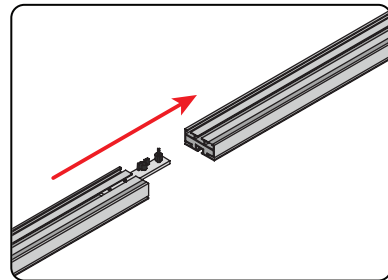
**2** Locate component A1 in the corresponding case and begin assembly from the starting point. Each of the components are individually numbered and has a drawing that explains its location and installation.

**3** Follow the numbering sequence to complete each section of the stand.

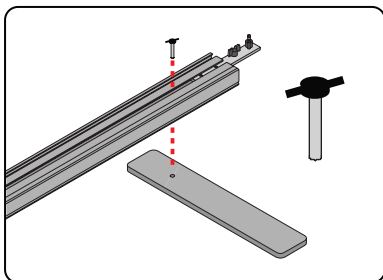
## GENERAL ASSEMBLY



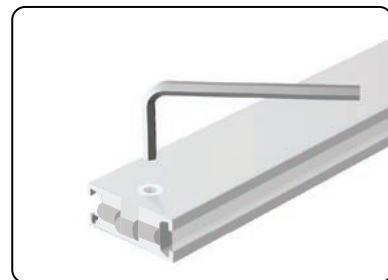
**1** Join pre assembled corners by sliding onto the pre-installed sliders located on the horizontal and vertical extrusions and tightening the thumbscrews.



**2** Join horizontal and vertical extrusions by sliding onto the pre-installed sliders located on the horizontal and vertical extrusions and tightening the thumbscrews.

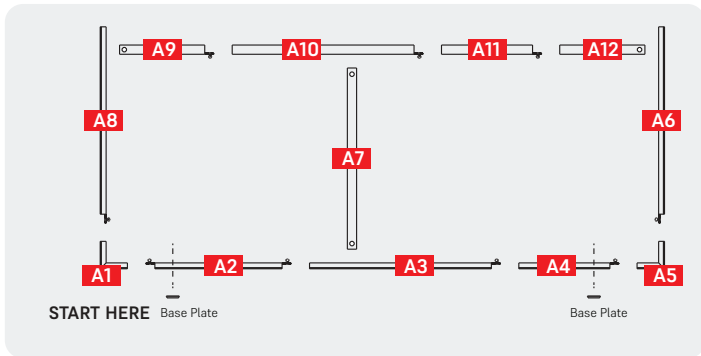


**3** Connect the base plates to the EDGE frame using the M8 thumbscrews provided as shown above.

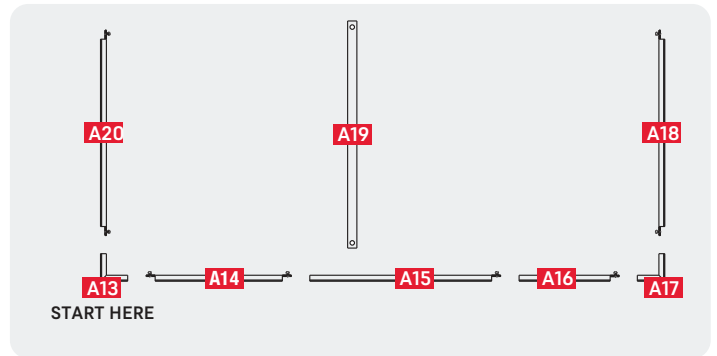


**4** The internal extrusions are locked into position in the middle channel of the frame. To lock into position turn the camlock 180 degrees using the allen key provided.

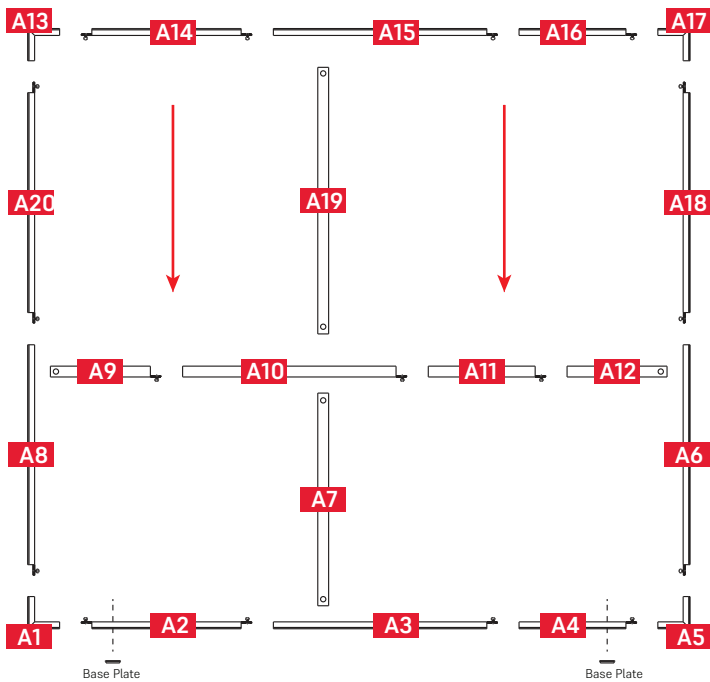
# DETAILED SETUP INSTRUCTIONS



**BOTTOM HALF**



**TOP HALF**

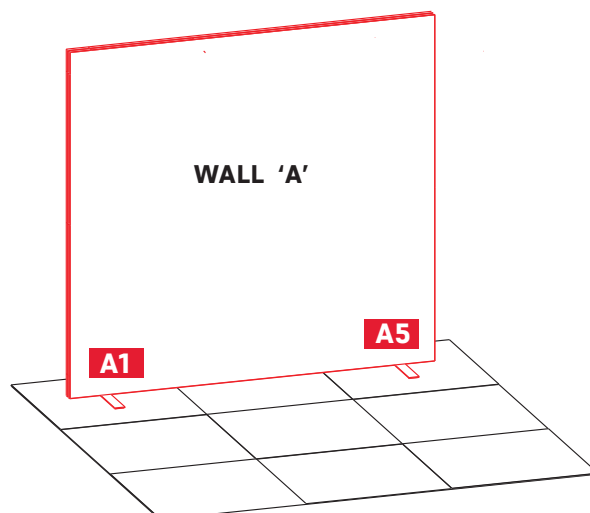


## ASSEMBLY NOTES

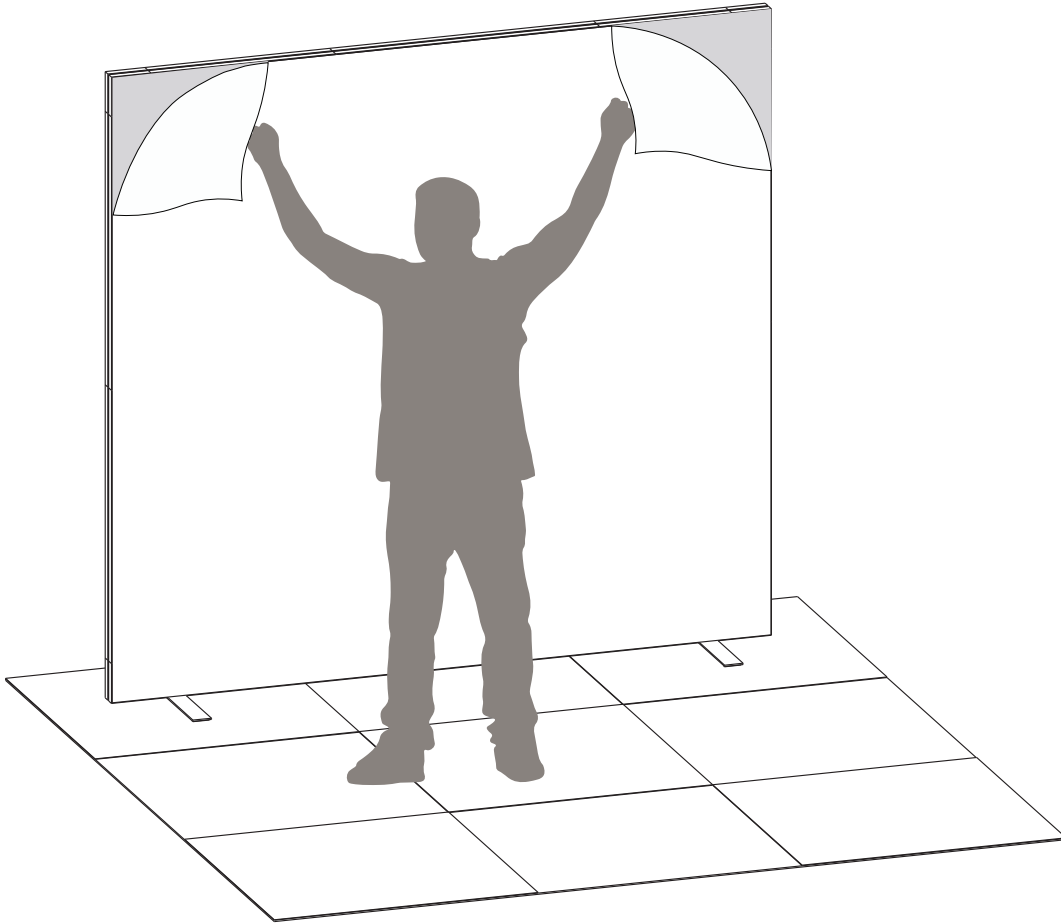
**1** Build the bottom half A1 to A12 (Refer to the EDGE General Assembly page for assistance).

**2** Build the top half A13 to A20 (Refer to the EDGE General Assembly page for assistance).

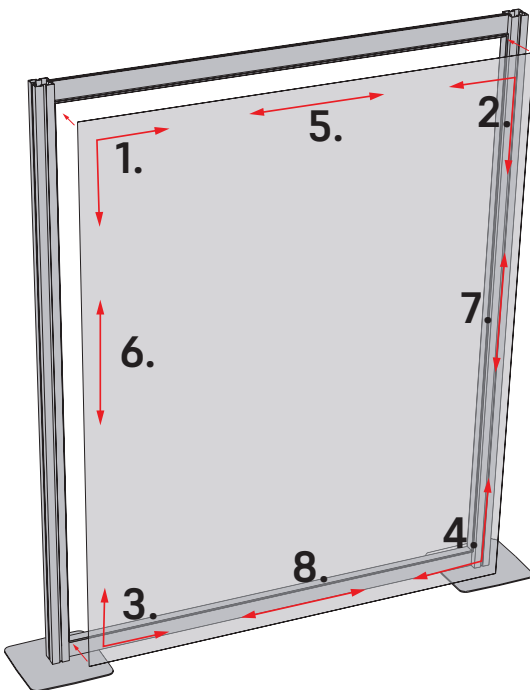
**3** Connect the top half to the bottom half.



## DETAILED SETUP INSTRUCTIONS



### ASSEMBLY DETAIL



To place each Fabric Panel in position follow the numbering sequence above, gently pushing Silicon Bead on Fabric into Plastic T rack, until the fabric is tight. Use gloves provided.





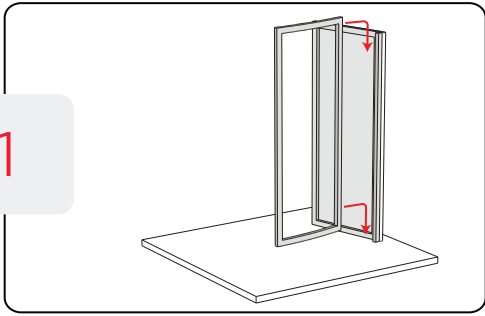
# EXHIBITION COUNTERS

# SET-UP INSTRUCTIONS

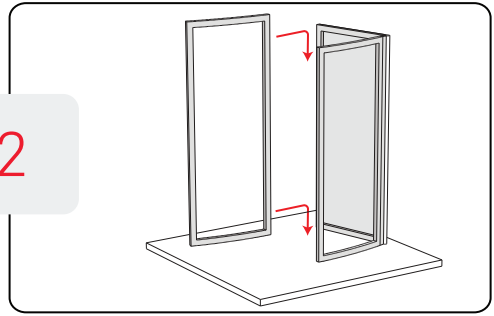


# CURVED EVOLVE COUNTER SETUP INSTRUCTIONS

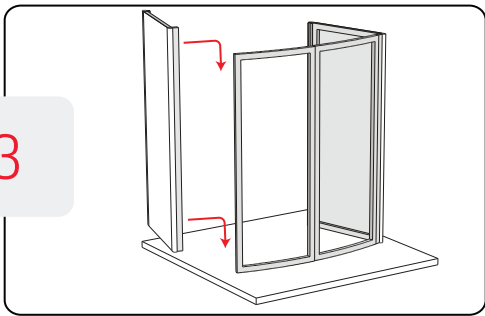
1



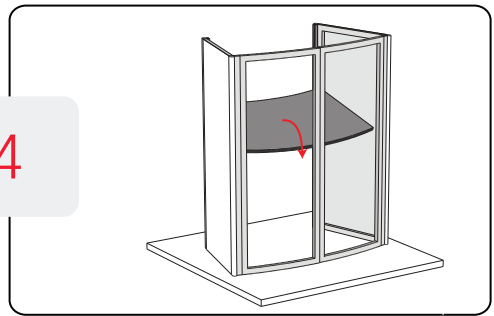
2



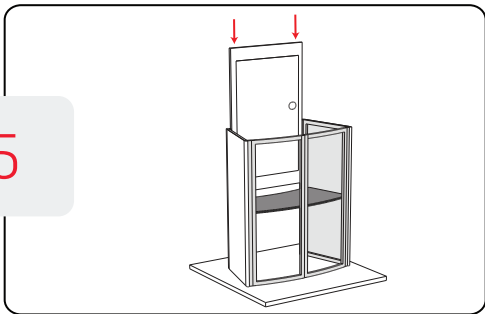
3



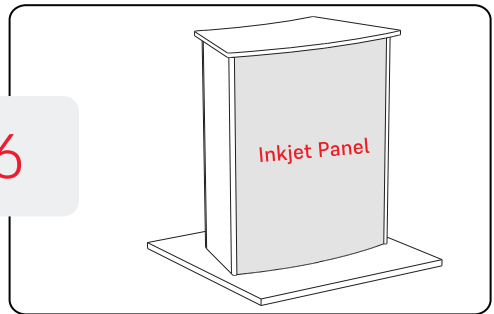
4



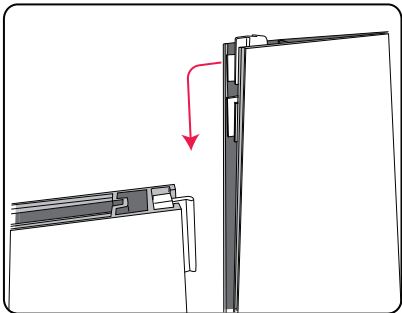
5



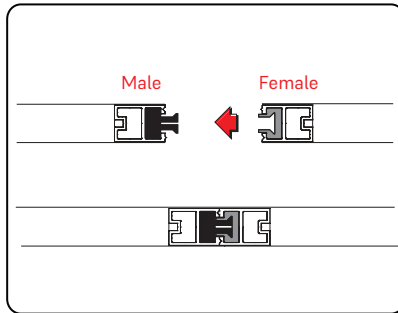
6



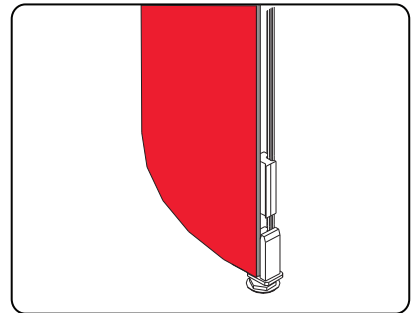
## GENERAL ASSEMBLY



Align the panels and slide the female connectors down over the male connectors.

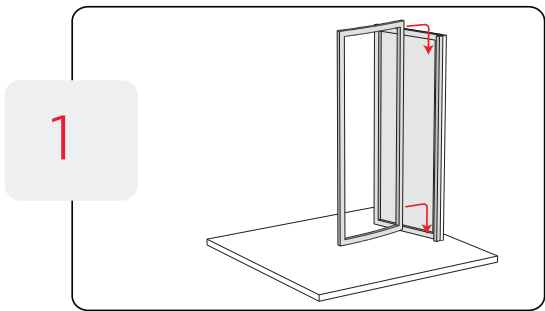


All panels have male and female connectors. The male connector should always be on your right when facing the front of the display.

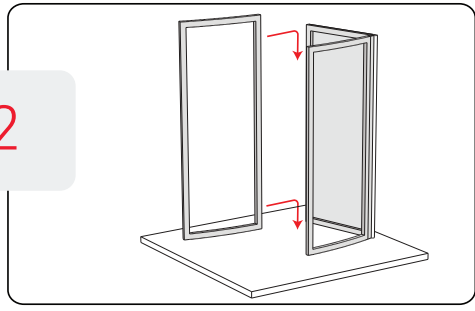


The base level has adjustable feet that allow you to level the display on an uneven floor. You should assemble the entire base level before adjusting feet.

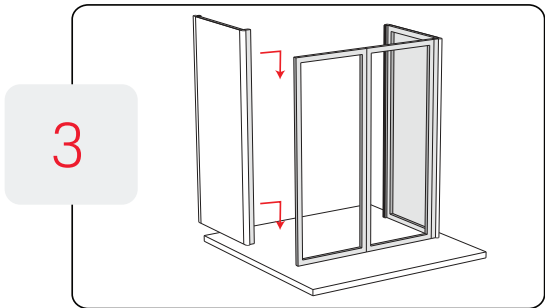
# RECTANGLE EVOLVE COUNTER SETUP INSTRUCTIONS



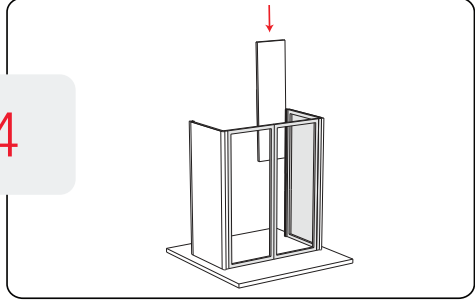
1



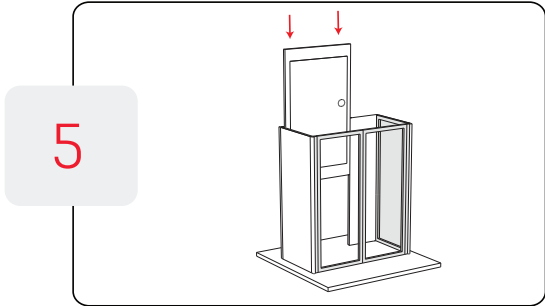
2



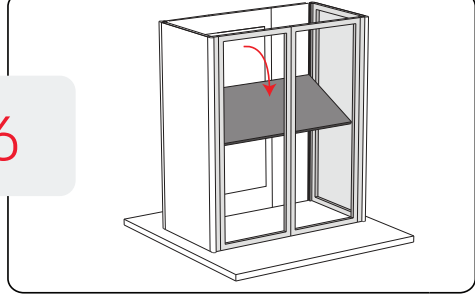
3



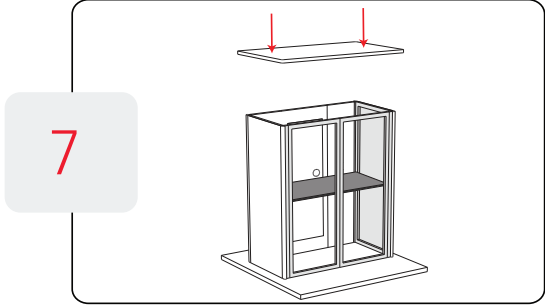
4



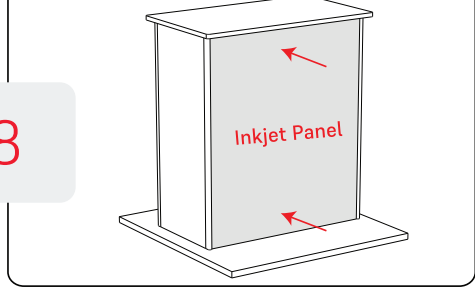
5



6

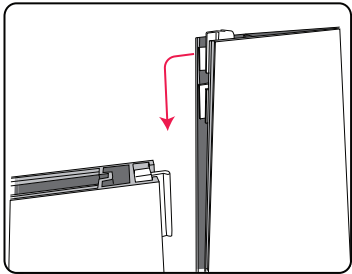


7

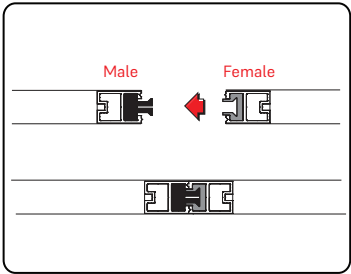


8

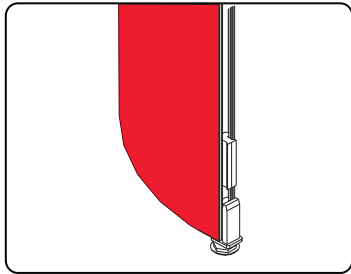
## GENERAL ASSEMBLY



Align the panels and slide the female connectors down over the male connectors.



All panels have male and female connectors. The male connector should always be on your right when facing the front of the display.

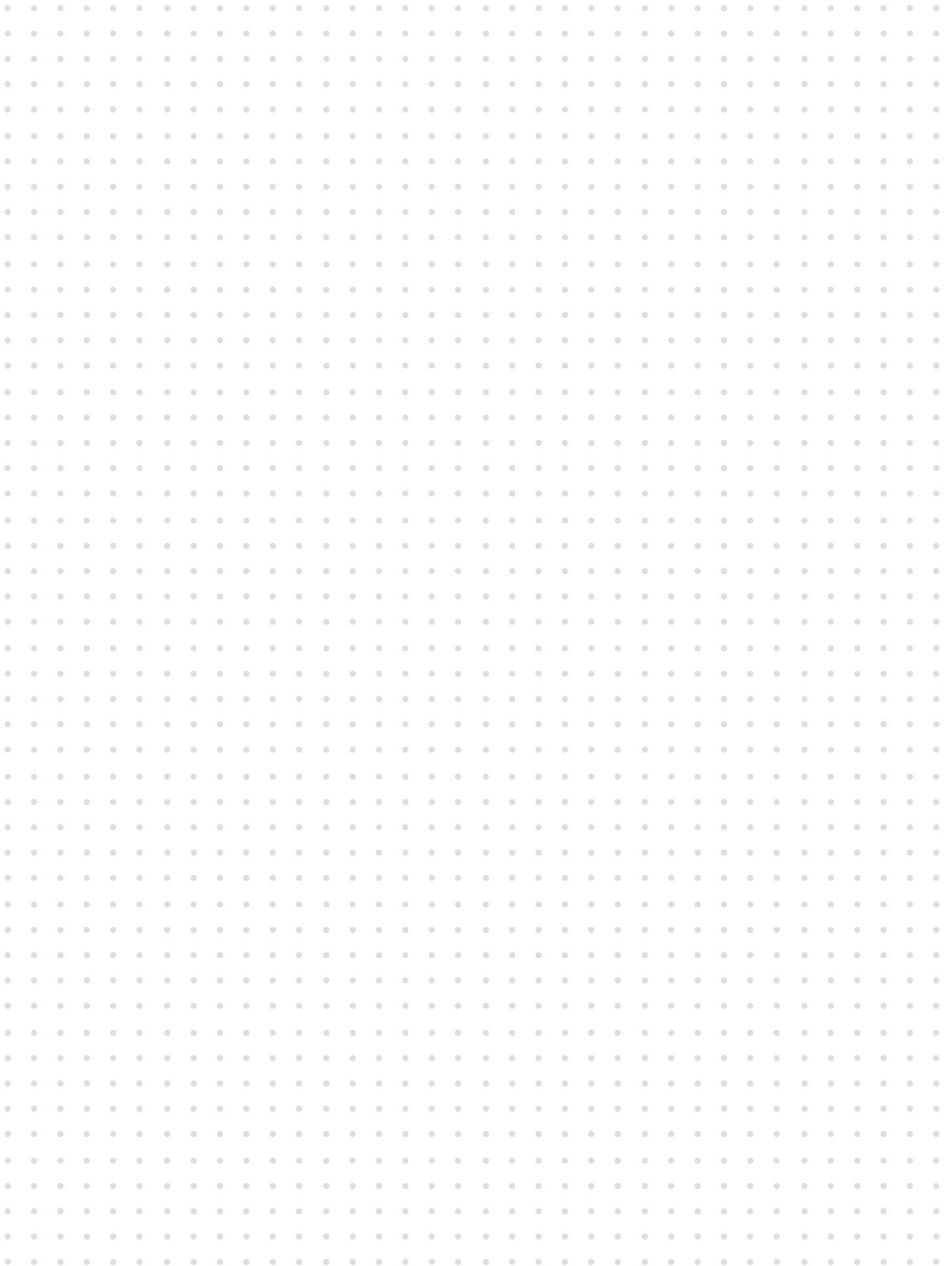


The base level has adjustable feet that allow you to level the display on an uneven floor. You should assemble the entire base level before adjusting feet.



**INSTAND<sup>®</sup>**

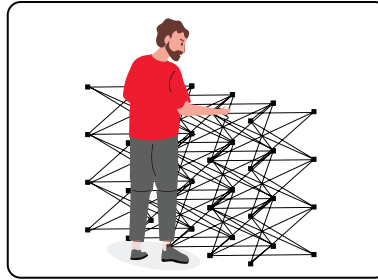
# NOTES



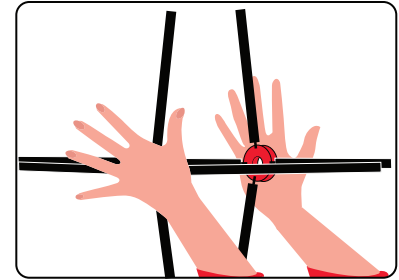
# SETTING UP YOUR DISPLAY



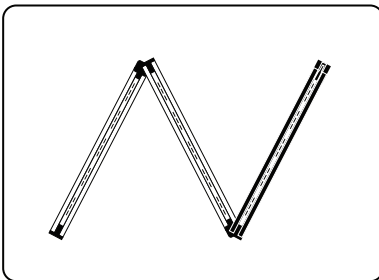
**1** Place frame with red studs facing front.



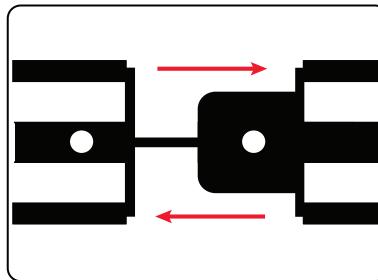
**2** Grasp two top centre hubs and lift frame open to shoulder height. Handle frame at hubs only.



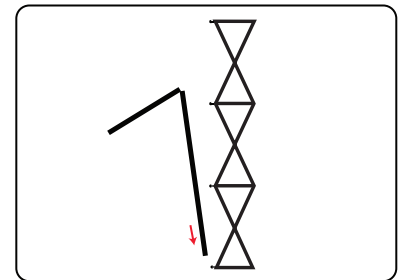
**3** Press front and back hubs in the centre of the frame until Instand locks into position. (Front and back hubs do not meet.)



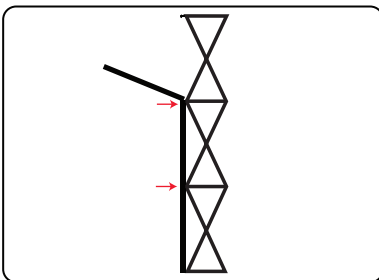
**4** Unfold connected strut ensuring magnets are facing the same direction...



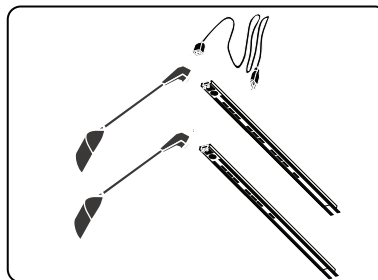
**5** ...and connect bottom two sections by joining as illustrated.



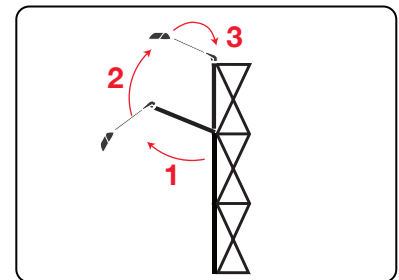
**6** Slide bottom of connected strut onto the red stud at the bottom of the frame.



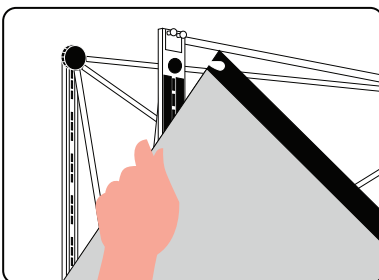
**7** Snap next two connectors onto studs on frame.



**8** Attach lights to top of struts. Swivel fixtures to adjust position. Run cord behind display.



**9** Rotate top section of strut up and slide down onto top stud.



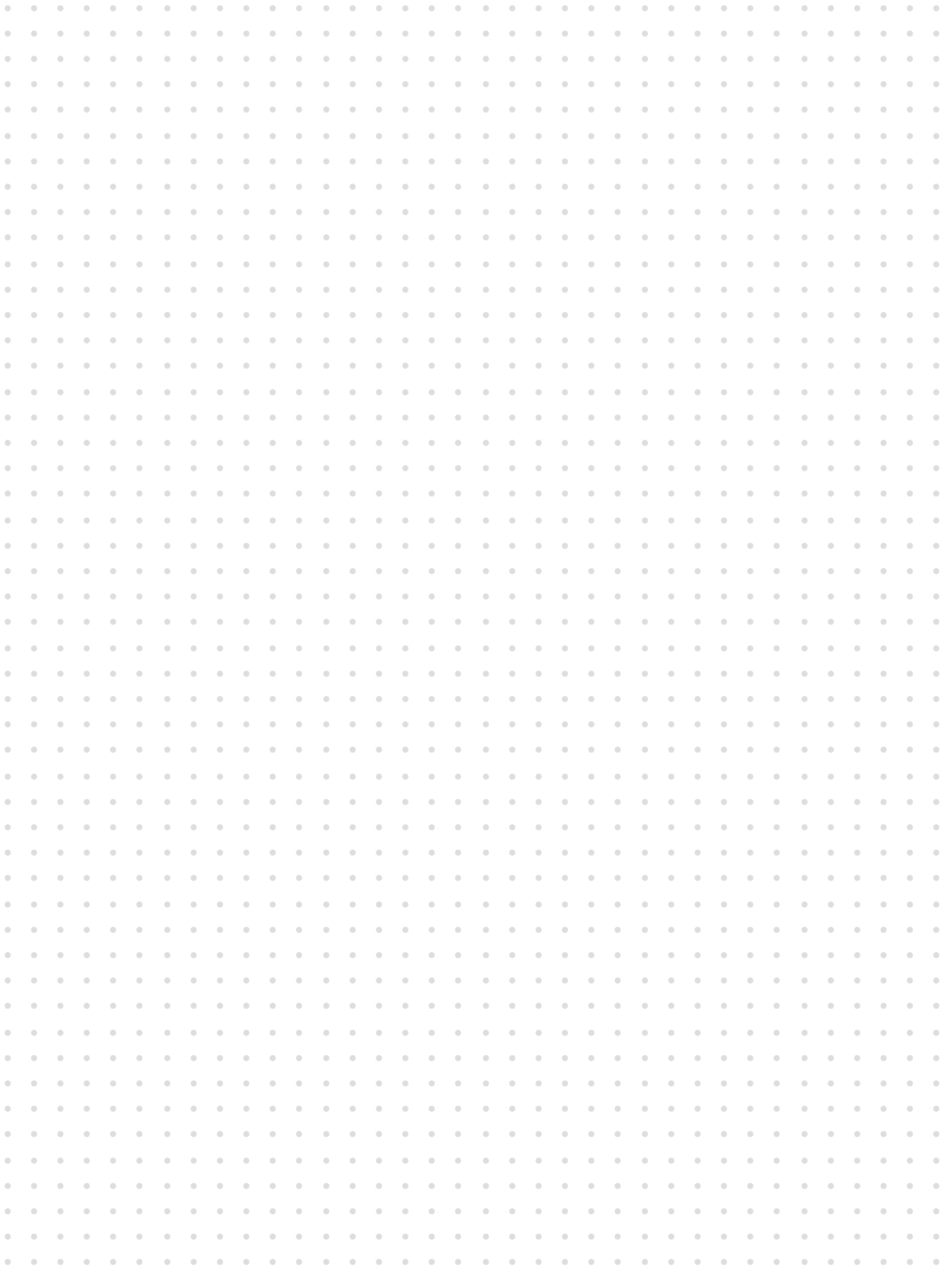
**10** Hang all top panels and full size panels first. Lift onto studs on top of frame. Hook one side then the other. Gradually release downward to bond magnets.



**11** Bow endcaps and lift onto studs on top of both sides of frame. For hinged panels hook one side then the other. Slide hands along length of panel to bond magnets.



# NOTES





**JEROME GANNON**  
*Managing Director*



With over 40 years of industry expertise, Nomadic Display stands as a beacon of unmatched craftsmanship, proudly made in Europe. Our legacy is built on delivering exceptional quality and innovative designs that stand the test of time, ensuring your brand makes a memorable impact on the global stage



Caher, Louisburgh,  
Co. Mayo, F28P660



+353 98 66011



[sales@nomadicdisplay.eu](mailto:sales@nomadicdisplay.eu)